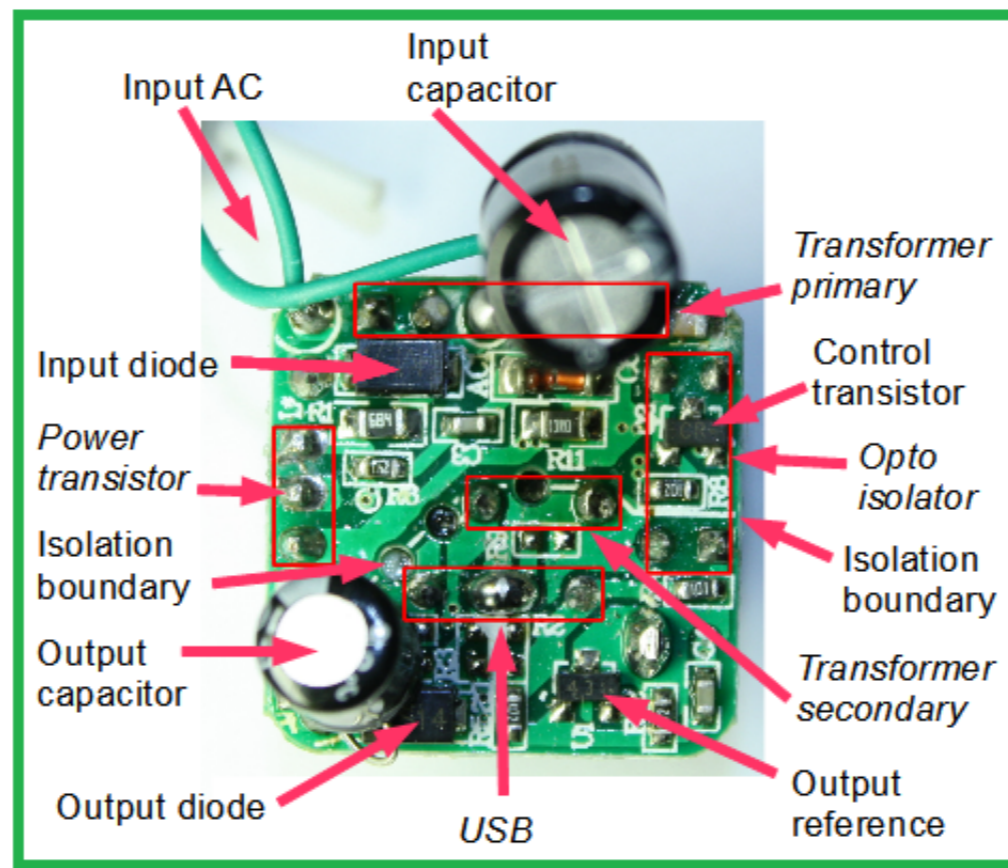


Download 

[Mician Uwawe Wizard Crack Download!](#)



[Mician Uwawe Wizard Crack Download!](#)

Download 

crack software download Microstran.Coldes.v4.09 ... Mician Microwave Wizard v5.6. Mician Microwave Wizard v6.0. Mician uWave Wizard v7.5. You can register at the following website and download the med. <http://bbs.eetop.cn/viewthread.php?tid=274980&highlight=mician>. WILLqad.. Wyslany: Sro Sie 29, 2018 04:47 Temat postu: Mician uWave Wizard v8.1. Odpowiedz z cytatem. Crack download software STYLECAD v9.0 ... Mician.Microwave.Wizard.v7.5.. New Software crack download 2013ID anwer8@nextmail.ru ... Itvis IDL v7.1.1. WinMacOSX.Linux ... Mician Microwave Wizard ...

mician microwave wizard, mician microwave wizard crack, mician microwave wizard free download, mician microwave wizard tutorial Mician ... crack software download Moldex3D R12 Smartcam V17 Encom.Discover.V2012.0.2 ... Mician uWave Wizard v7.5. Mician mWave Wizard v7.8.0.0209. Mician ... mician microwave wizard, mician microwave wizard crack, mician microwave wizard free download, mician microwave wizard tutorial Mician Microwave Wizard ... Mician Microwave Wizard 7.0 Crack >> <http://bit.ly/2DNyCiw> ... Office Tools downloads - Sign Wizard by Aries Graphics International and many ...

mician uwave wizard

mician uwave wizard, mician uwave wizard 7.5 download, mician uwave wizard 8.1, mician uwave wizard crack, mician microwave wizard crack, mician microwave wizard free download, mician microwave wizard tutorial

mician microwave wizard, mician microwave wizard crack, mician microwave wizard free download, mician microwave wizard tutorial Mician ...

mician uwave wizard 8.1

Mician Microwave Wizard 7.0 Crack DOWNLOAD: <https://imgfil.com/jgrek0> mician microwave wizard, mician microwave wizard crack, mician microwave wizard ... crack software download FESTO.FluidSIM.v4.5d peoffice v5.5 ... Mician Microwave Wizard v6.0. Mician uWave Wizard v7.5. Mician uWave Wizard v7.7. Mician ... Crack download software OptiFDTD v15.0 x64 AVEVA PDMS v12.1.1 tNavigator v2020 DNV.Nauticus. ... Mician uWave Wizard v9 MineSight ... Mician Microwave Wizard 70 Crack ->>>> DOWNLOAD. Cracked software download 2013 ... Mician Microwave Wizard v5.6 ... Multigen-Paradigm.Vega.. Mician Uwave Wizard Crack Download ... Wizard.v7.5Cracked.software.ftp.download.2014....crack.software.download. flight1 wrapper crack 3-2-1 cake.

mician microwave wizard crack

Mician Microwave Wizard 70 Crack. mician microwave ... Absolver PC Game Highly Compressed Repacked [MULTI7] Free Download. Absolver PC Game ... crack software download SeisMager v2020 Schlumberger ECLIPSE 2019 Tempest v8.0 TwinCAT v2.11 CHEMCAD Suite v7.1.5 MEPO v2016.2. Simulation time and development cost can be significantly reduced by composing RF microwave structures fast and easy using a combination of predefined! ... Mician Microwave Wizard 70 Crack mician microwave wizard, mician microwave wizard crack, mician microwave wizard free download, mician ... Cracked software download 2013 ... Mician Microwave Wizard v5.6 ... Multigen-Paradigm.Vega.V3.7.0 ParCAM v8.0c. Paradigm Epos v3.0. Mician Microwave ... mician microwave wizard free download, mician microwave wizard crack, mician microwave wizard, mician microwave wizard tutorial Mician ... Mician uWave Wizard 9.0 petromod 2019. crack software download BOBCAD-CAM 30.2553 x64 The Unscrambler X 10.5 NEWTEK ... 2015 crack software download. Please press Ctrl+F ... I have the more latest cracked softwares. ... SIEMENS NX v10.0.0 Mold Wizard EasyFill Advanced Win64. crack software download BOBCAD-CAM 30.2553 x64 The Unscrambler X 10.5 NEWTEK SPEEDEDIT v2.6.2 Leica.MissionPro v12.0. Mician Microwave Wizard 7.0 Crack Download fresh windows warez idm adobe avast . Mician GmbH Releases Version 7.0 of Wave Wizard. 6147cde53c

- [The Angry Birds Movie \(English\) movie tamil download](#)
- [subhash sharma applied multivariate techniques solution manual.zip](#)
- [Jai Ho Video Songs Hd 1080p Telugu Bluray Movies Download](#)
- [Chennai Express movie english subtitles free download](#)
- [Jo Hum Chahein Movie English Subtitles Download](#)
- [the expendables 2010 dual audio 720p movies](#)
- [HACK Antares Complete AU VST RTAS TDM Latest 04 2010 OSX INTEL XXVX](#)
- [Telecharger AutoCAD P ID 2016 Français Gratuit Crack](#)
- [Shadow Fight Heroes v3.2 \[Mod\] \[Latest\]](#)
- [ONE MAN BAND V 10.3.0.keygen](#)